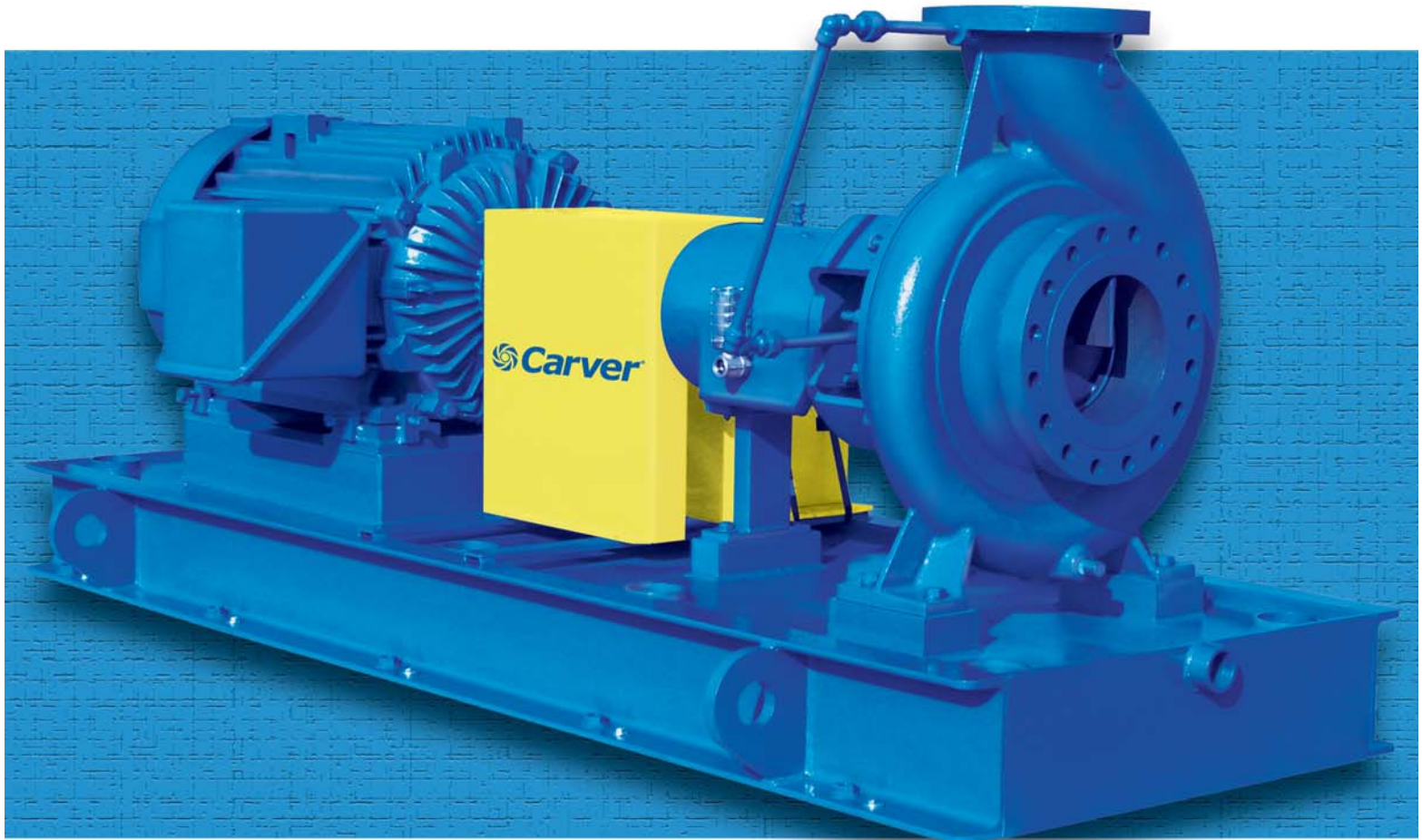


# ***Process Maxum Series***

---

*For Flows to 9,000 GPM*



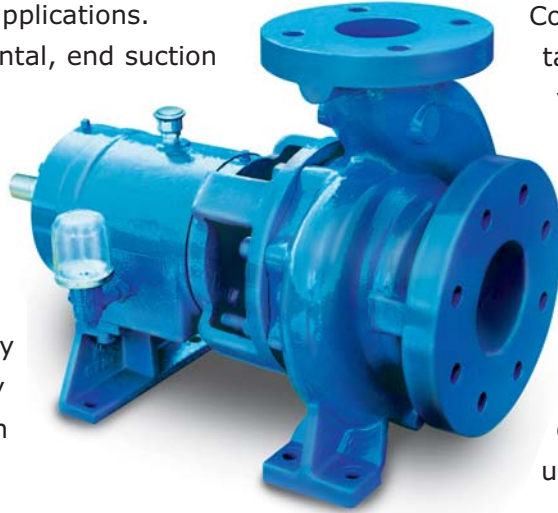
 **Carver<sup>®</sup>**

---

***Creating Value.***

# The Process Maxum Series

The Process Maxum is Carver's offering for handling water based solutions and acids used predominately within industrial process applications. Offered as a horizontal, end suction foot mounted unit, the Process Maxum can be motor, engine, or turbine driven. It is a workhorse in the process industry featuring extremely rugged construction and is designed for years of service.



Designed specifically for the needs of the process pump user, hydraulic performance extends to over 9,000 GPM and 720 feet of head. Operating at speeds up to 3,500 RPM, this range is covered by thirty-five sizes available in either Steel/Iron, Steel/316SS, all 316SSS or all D4MCu materials of construction as standard. In addition to these, higher alloys such as Alloy 20, Hastelloy B or C, Monel and Titanium are also available.

As a standard these units include connections for customer supplied vibration and temperature probes.

Common options include double, tandem, and cartridge seals, various seal flush systems, and several bearing lubrication configurations. Heavy duty baseplates, cooling jackets, spacer couplings, and various levels of performance testing are also available, depending on the individual users requirements.

Together, these features combine to produce some of the most efficient hydraulics in the industry and shaft deflection values exceeding that of ANSI B73.1 requirements.

Most importantly, as with all our other pumps, the Process Maxum offers the reliability, low total life cost, and lasting value that has made Carver one of the most trusted names in pumps.

## Hydraulics

- Flows to 9,000 GPM (2,000 m3/hr)
- Heads to 720 Ft (220 M)
- Efficiencies to 88%
- Power to 900 HP (670 KW)
- Speeds to 3,500 RPM
- Temperatures to 500°F (260°C)



Approval Certification Number 95-370



European Community Certificate

## Features & Benefits

### Connections

ANSI 300 lb. flanges with centerline discharge assist in self-venting.

### Casing

Back pull out design with registered fits and fully confined gaskets assure sealing and alignment of critical fits. Casing drains included as a standard.

### Impellers

Enclosed, high efficiency impellers balanced to ISO 1940, Grade G2.5 for vibration-free operation. All impellers keyed and locked for added safety.

### Wear Rings

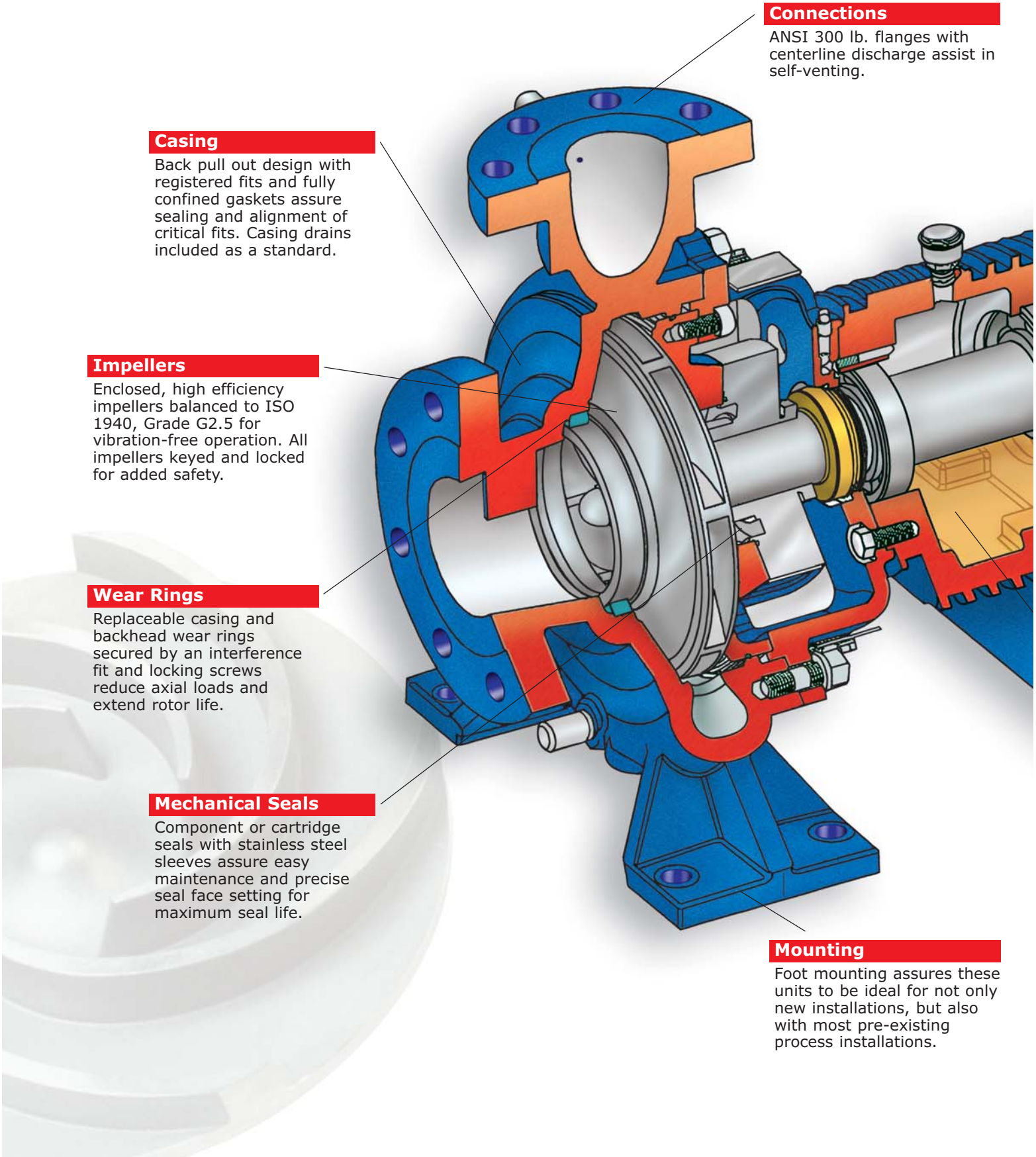
Replaceable casing and backhead wear rings secured by an interference fit and locking screws reduce axial loads and extend rotor life.

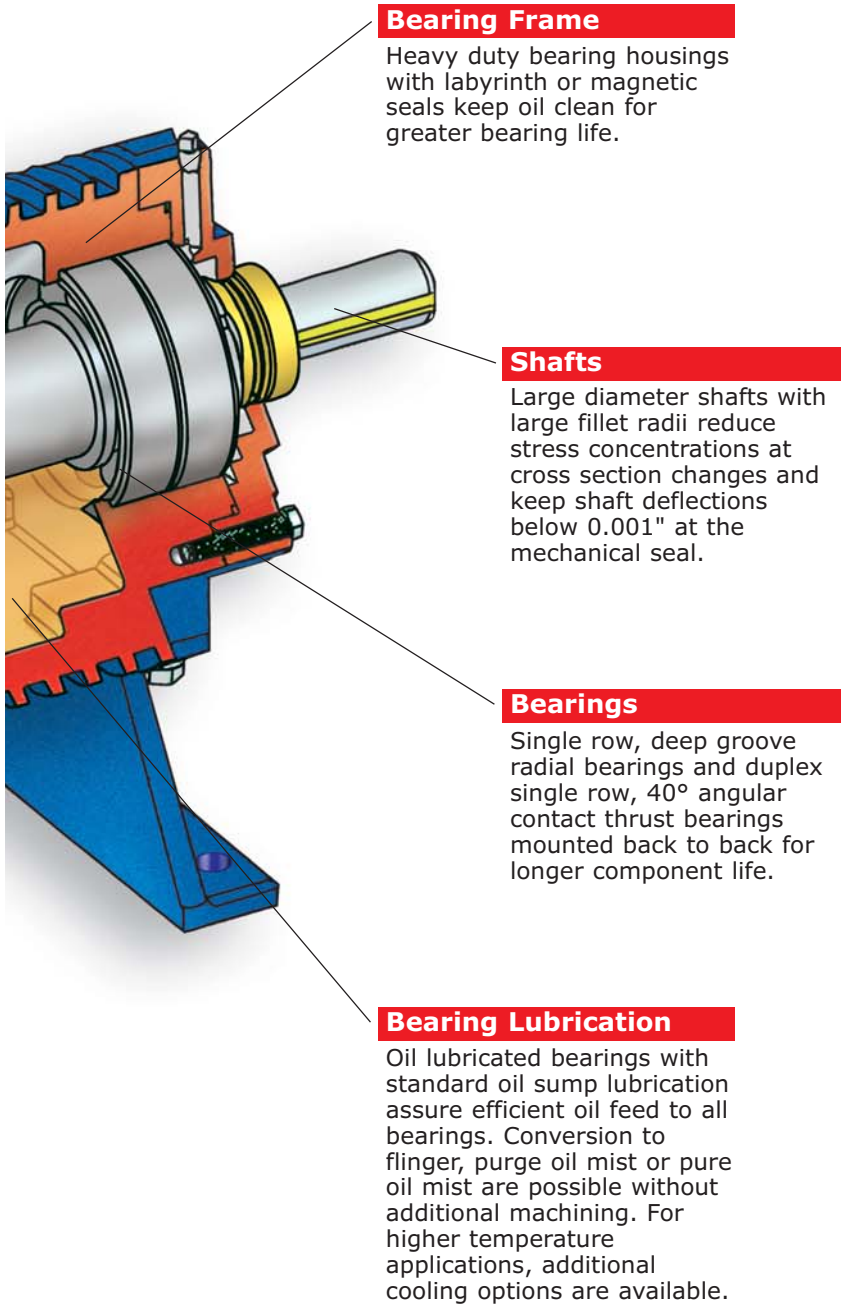
### Mechanical Seals

Component or cartridge seals with stainless steel sleeves assure easy maintenance and precise seal face setting for maximum seal life.

### Mounting

Foot mounting assures these units to be ideal for not only new installations, but also with most pre-existing process installations.





**Bearing Frame**

Heavy duty bearing housings with labyrinth or magnetic seals keep oil clean for greater bearing life.

**Shafts**

Large diameter shafts with large fillet radii reduce stress concentrations at cross section changes and keep shaft deflections below 0.001" at the mechanical seal.

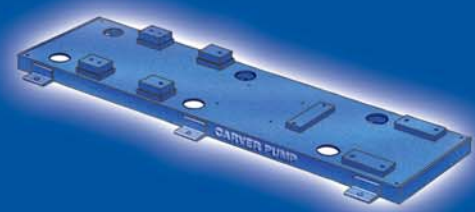
**Bearings**

Single row, deep groove radial bearings and duplex single row, 40° angular contact thrust bearings mounted back to back for longer component life.

**Bearing Lubrication**

Oil lubricated bearings with standard oil sump lubrication assure efficient oil feed to all bearings. Conversion to flinger, purge oil mist or pure oil mist are possible without additional machining. For higher temperature applications, additional cooling options are available.

**Caver Pump Baseplates Insure a Secure Mount!**



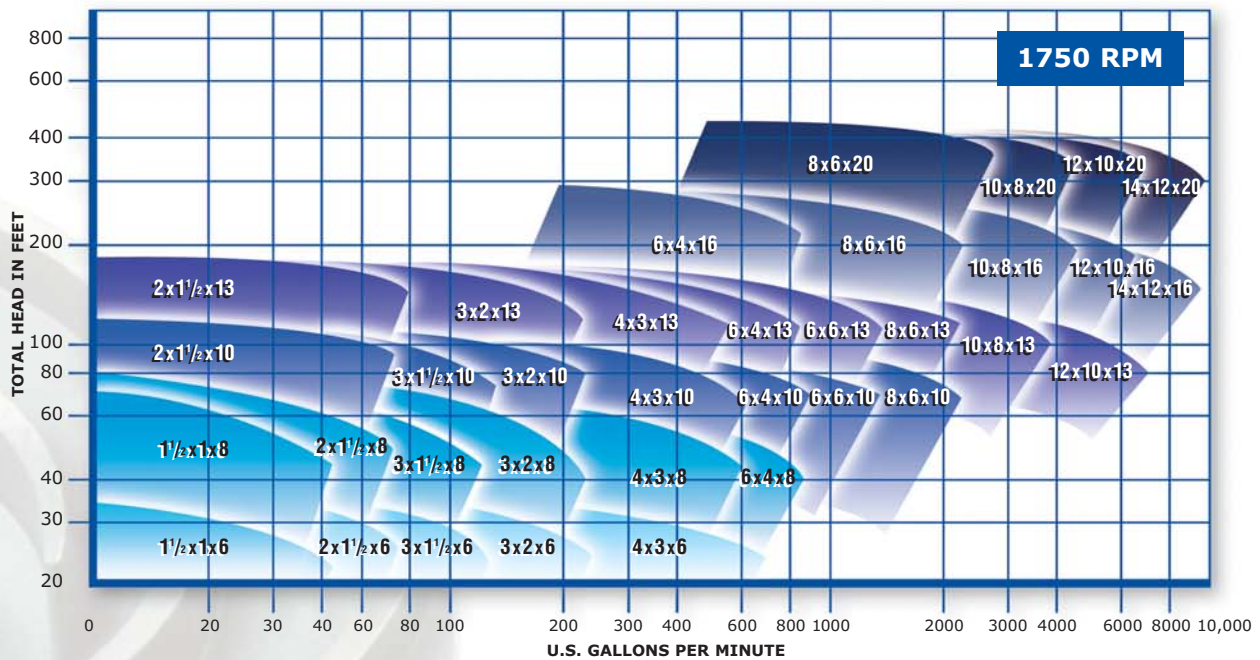
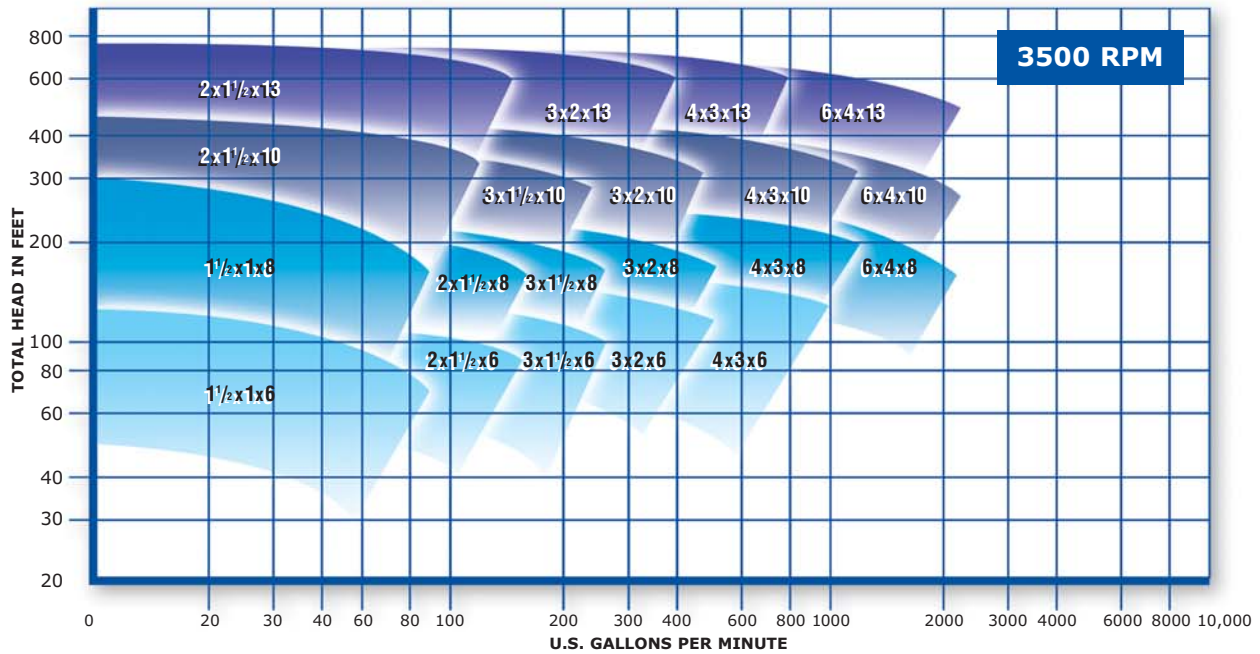
Designed and manufactured by Carver Pump specifically for the Maxum Series, these fabricated baseplates insure a secure mount for your application. Heavy duty in nature, when combined with proper foundation preparation, these bases are a great starting point in making sure your pump/motor combination remain securely mounted.

Fabricated from structural steel for maximum strength, each baseplate includes machined Pump/Motor pads to insure stability and assist during final alignment, plus grout holes in order to allow secure attachment to the foundation. Prior to shipping, each unit is prepped and painted in accordance with our standard procedure for added surface protection.

Additional features are available upon request, such as a recessed sloping deck with drain, additional grout or vent holes, motor alignment screws, leveling jackbolts, integral lifting lugs or specialized surface preparation that may be required when using specific grout or protective surface coatings. Whatever the requirement, Carver Pump can typically customize the baseplate to meet or exceed your expectations!

Give your pump the support it needs – request a Carver Pump baseplate!

## Hydraulic Coverage



## Standard Materials of Construction

API Material Code	Casing	Impeller	Shaft	Wear Rings	Bearing Frame
S-1	Carbon steel	Ductile iron	AISI 4140	17-4PH	Carbon steel
S-8	Carbon steel	316 SS	316 SS	17-4PH	Carbon steel
A-8	316 SS	316 SS	316 SS	17-4PH	Carbon steel
D-1	CD4MCu	CD4MCu	Duplex SS	17-4PH	Carbon steel



Since we built our first pumps in 1938, the Carver name has become synonymous with value. Today we are recognized as one of the world's leading centrifugal pump companies, building pumps to the most demanding engineering specifications and military standards in the world.

Our company is located in Muscatine, Iowa, 25 miles southwest of the Quad Cities area. Our operations there include some of the most modern manufacturing equipment and pump development software available, and we are committed to the highest quality possible in our products and our people. Along these lines, Carver was also one of the first American pump companies to attain ISO 9001 certification—the most recognized standard for quality in the world.

From an applications standpoint Carver has traditionally built pumps for water, oil, and chemicals for both the public and private sectors. Our product line includes both horizontal and vertical end suction, multi-stage, axial split case, self-priming, API, and solids-handling pumps that all carry the same Carver trademark: lasting value from solid, straightforward designs engineered to provide many years of service.

These pumps are also backed by unparalleled aftermarket support. Our network of stocking distributors, manufacturer's representatives and certified service centers throughout the world means that no matter where your pump may be installed, there are local sales and service people ready to support your aftermarket needs.



**Carver Pump Company**

2415 Park Avenue • Muscatine, IA 52761  
563.263.3410 • Fax: 563.262.0510

[www.carverpump.com](http://www.carverpump.com)



**SOLUCIONES CONFIABLES**

Sistemas y equipos para el manejo, control, dosificación y agitación de fluidos.

**CALI • COLOMBIA**

Calle 69 No. 7D Bis-15 - PBX: (57-2) 418 4006 - FAX: (57-2) 656 0052 / 6631997

**BOGOTÁ D.C. • COLOMBIA**

Cra. 14 No. 76-25 Edificio Centro Ejecutivo 76 Of. 501 - PBX: (57-1) 743 2303

[www.novatecs.com](http://www.novatecs.com)  
[mercado@novatec.com](mailto:mercado@novatec.com)

